

**PRODUCT TECHNICAL SHEET**

Collection : **DEVILLE**

Ref. : **1955.--.03**

Robinet de service oblique

Dienstkraan, schuin model

Service tap, oblique model

**Picture**



**Product details**

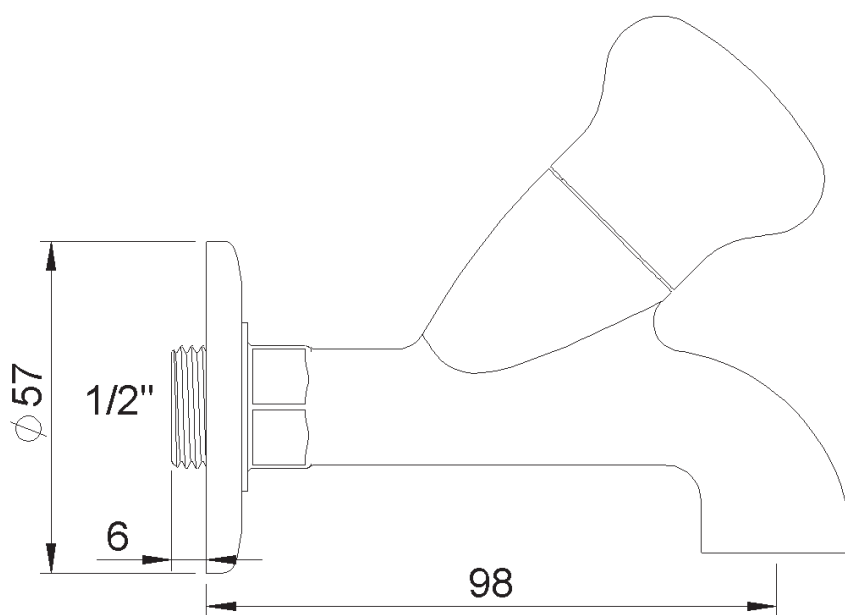
Weight : 0,8 kg

Flow at 3 bar : Restricted 5,6 l/min

Internal mechanism : Ceramic valve 1/4 turn

Note : Delivered with rozet 57mm

**Technical drawing**



RB0.V01